

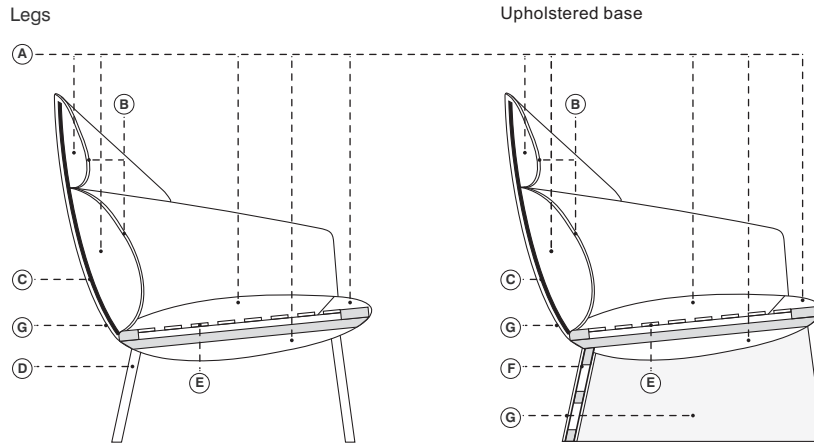
SWALE

Small armchair,

Gordon Guillaumer,
2020

laCividina





- | | | | |
|----------------------------------------------------------------------------------------------------------------------------------------------------------------------------------------------------------------------------------------------------------------------------------------------------------------------------------------------------------------------------|-------------------------------------------------------------------------------------------------------------------------------------------------------------------------------------------------------------------------------------------------------------------------------------------------------------------------------------------------|--------------------------------------------------------------------------------------------------------------------------------------------------------------------------------------------------------------------------------------------------------------------------------------------------------------------------------------------------------------------|--------------------------------------------------------------------------------------------------------------------------------------------------------------------------------------------------------------------------------------------------------------------------------------------------------------------------------------------------------------|
| <p>■ Legno massiccio di faggio</p> <p>A. Poliuretano espanso ignifugo indeformabile a quote differenziate</p> <p>B. Fibra di poliestere</p> <p>C. Vetroresina</p> <p>D. Acciaio verniciato</p> <p>E. Cinghie elastiche ad alta densità</p> <p>F. Pannello di masonite</p> <p>G. Rivestimento fisso in tessuto o pelle</p> | <p>■ Solid beech</p> <p>A. Flame-retardant undeformable polyurethane foam of different densities</p> <p>B. Polyester fibers</p> <p>C. Fibreglass</p> <p>D. Lacquered steel</p> <p>E. High density elastic straps</p> <p>F. Masonite panels</p> <p>G. Fixed upholstery in fabric or leather</p> | <p>■ Bois de hêtre massif</p> <p>A. Mousse polyuréthane expansé ignifuge indéformable à épaisseurs différenciées</p> <p>B. Fibre de polyester</p> <p>C. Fibre de verre</p> <p>D. Acier laqué</p> <p>E. Sangles élastiques</p> <p>F. Panneau de particules</p> <p>G. Revêtement pas déhoussable tissue on cuir</p> | <p>■ Massivholz aus Buche</p> <p>A. Feuerfesterformbeständige Polyurethanschaum in unterschiedlicher Dichte</p> <p>B. Polyester</p> <p>C. Glasfaserkunststoff</p> <p>D. Lackierter Stahl</p> <p>E. Elastischen Gurtbändern</p> <p>F. Holzfaserplatte</p> <p>G. Unabziehbarer Bezug aus Stoff oder Leder</p> |
|----------------------------------------------------------------------------------------------------------------------------------------------------------------------------------------------------------------------------------------------------------------------------------------------------------------------------------------------------------------------------|-------------------------------------------------------------------------------------------------------------------------------------------------------------------------------------------------------------------------------------------------------------------------------------------------------------------------------------------------|--------------------------------------------------------------------------------------------------------------------------------------------------------------------------------------------------------------------------------------------------------------------------------------------------------------------------------------------------------------------|--------------------------------------------------------------------------------------------------------------------------------------------------------------------------------------------------------------------------------------------------------------------------------------------------------------------------------------------------------------|

**NOTE
NOTES
ANNOTATION
ANMERKUNG**

- | | | | |
|--------------------------------------------------------------------------------------------------------------------------------------------------------------------------------------------------------------------------------------------------------------------|------------------------------------------------------------------------------------------------------------------------------------------------------------------------------------------------------------------------------------------------------------------------------------|-------------------------------------------------------------------------------------------------------------------------------------------------------------------------------------------------------------------------------------------------------------------------------------------------------|----------------------------------------------------------------------------------------------------------------------------------------------------------------------------------------------------------------------------------------------------------------------|
| <ul style="list-style-type: none"> • Basi personalizzabili con tinta cliente • Cuscini extra disponibili • COM: tessuto cliente (tinta unita e h.140 cm.) - campione richiesto • COL: pelle cliente - campione richiesto | <ul style="list-style-type: none"> • Bases customizable with customer's colors on request • Extra cushions available • COM: client's fabric (plain colour and width 140 cm.) - sample required • COL: client's leather - sample required | <ul style="list-style-type: none"> • Piètements personnalisable avec coloris du client sur demande • Autres coussins disponibles • COM: tissu fourni (couleur unie et hauteur 140 cm.) - échantillon nécessaire • COL: cuir fourni - échantillon nécessaire | <ul style="list-style-type: none"> • Gestell in Kundenfarben auf Anfrage verfügbar • Weitere Kissen verfügbar • COM: Kundenstoff (einfarbig und Breite 140 cm.) - Stoffmuster nötig • COL: Kundenleder - Ledermuster nötig |
|--------------------------------------------------------------------------------------------------------------------------------------------------------------------------------------------------------------------------------------------------------------------|------------------------------------------------------------------------------------------------------------------------------------------------------------------------------------------------------------------------------------------------------------------------------------|-------------------------------------------------------------------------------------------------------------------------------------------------------------------------------------------------------------------------------------------------------------------------------------------------------|----------------------------------------------------------------------------------------------------------------------------------------------------------------------------------------------------------------------------------------------------------------------|

**FINITURA BASE
BASE FINISH
FINITION DE PIÈTEMENT
GESTELL AUSFÜHRUNG**

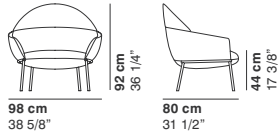


**RIVESTIMENTI CONSIGLIATI
RECOMMENDED COVERINGS
REVÊTEMENTS CONSEILLÉS
EMPFOHLENE BEZÜGE**

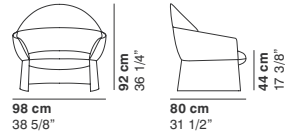
- | | | | |
|----------------------------------------------------------------------------------------------------------------------------------------------------------------------------------------------------------------------------------------------------|---------------------------------------------------------------------------------------------------------------------------------------------------------------------------------------------------------------------------------------------------------------------------------------|---------------------------------------------------------------------------------------------------------------------------------------------------------------------------------------------------------------------------------|----------------------------------------------------------------------------------------------------------------------------------------------------------------------------------------|
| <p>CAT. START
RINGO
OPUS</p> <p>CAT. A
XTREME
TAILOR
ANGEL
MEDLEY
SAMAR
AVON
MAGNUM
AUTUMN
HANGO</p> <p>CAT. B
FAME
MAIN LINE FLAX
HESTAN
SILVERTEX
GEIKO</p> | <p>CAT. C
SUPERB
TREND
KEN BI
MIKONOS
ANDROS
ACAPULCO</p> <p>CAT. SUPER
ORSETTO
REMIX 3
MYLLA
TWISTED FLOWER
DHARMA DIS.400
DHARMA DIS.200
DHARMA DIS.600
DHARMA DIS.100
DHARMA DIS.500
DIVA DIS.01</p> | <p>CAT. EXTRA
STEELCUT TRIO 3
ARIANA
OPERA
ARCO
CREDO
TRIO
BIT
DIVA DIS.05
DIVA DIS.21
DIVA DIS.29</p> <p>CAT.MAXI
UNIFORM MÉLANGE
HALLINGDAL 65
DIVINA 3</p> | <p>CAT. TOP
ARDA
REGOS</p> <p>CAT. SPECIAL
GENTLE 2</p> <p>CAT. LUX
LUX 1
LUX 2</p> <p>CAT. IMPERIAL
IMPERIAL 1
IMPERIAL 2</p> |
|----------------------------------------------------------------------------------------------------------------------------------------------------------------------------------------------------------------------------------------------------|---------------------------------------------------------------------------------------------------------------------------------------------------------------------------------------------------------------------------------------------------------------------------------------|---------------------------------------------------------------------------------------------------------------------------------------------------------------------------------------------------------------------------------|----------------------------------------------------------------------------------------------------------------------------------------------------------------------------------------|

POLTRONA
ARMCHAIR
FAUTEUIL
SESSEL

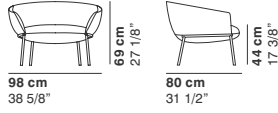
COD. 1150
HIGH ARMCHAIR WITH LEGS



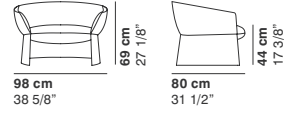
COD. 1152
HIGH ARMCHAIR WITH UPH. BASE



COD. 1151
LOW ARMCHAIR WITH LEGS



COD. 1153
LOW ARMCHAIR WITH UPH. BASE



La Cividina s.r.l., al fine di migliorare le caratteristiche tecniche e qualitative della sua produzione, si riserva di apportare, anche senza preavviso, tutte le modifiche che si rendessero necessarie.

With a view to improving the technical characteristics and quality of its products la Cividina s.r.l. reserves the right to develop its products at anytime without notice.

A fin d'améliorer les caractéristiques de sa production, La Cividina s.r.l. se réserve d'apporter, même sans préavis, toutes les modifications qui se rendent nécessaires.

Zur Verbesserung, der technischen und qualitativen Merkmale, behält sich La Cividina s.r.l. vor, alle notwending erscheinenden Produktionsänderungen, auch ohne Vorankündigung durchzuführen.

LA CIVIDINA S.R.L.

HEADQUARTERS / PRODUCTION

Via Spilimbergo 162
33035 Martignacco
Udine Italy
T +39 0432 677433
F +39 0432 677480
info@lacividina.com
lacividina.com

ISO 9001



SHOWROOM MARTIGNACCO

Via Lungolavia 1
33035 Martignacco
Udine Italy
T +39 0432 677433

SHOWROOM MILANO

Palazzo Borromeo
Via Manzoni 41
20121 Milano
Italy
T +39 345 8350810