

---

# Nap

---

**Family**

Armchair / Sofa / Dormeuse  
Ottoman / System

---

**Designer**

Andrea Steidl / 2019

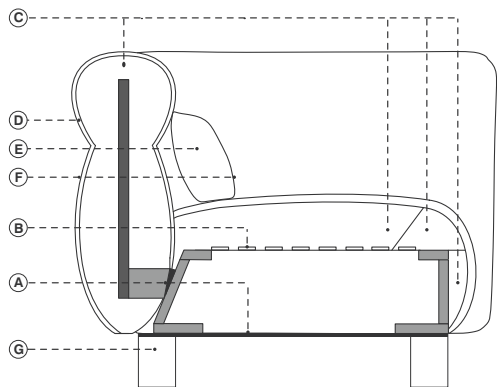
---

**Link**

[www.read-mo.re/nap](http://www.read-mo.re/nap)



Dati tecnici · Technical data · Données techniques · Technische Angaben



- |   |  |
|---|--|
| ■ Legno massiccio di faggio   | ■ Solid beech  |
| ■ Multistrato di faggio   | ■ Multilayered beech   |
| A. Acciaio  | A. Steel   |
| B. Cinghie elastiche ad alta densità  | B. High density elastic straps   |
| C. Poliuretano espanso ignifugo indeformabile a quote differenziate             | C. Flame-retardant undeformable polyurethane foam of different densities     |
| D. Fibra di poliestere  | D. Polyester fibers  |
| E. Piuma e fibra di poliestere elicoidale                                       | E. Feathers and helical polyester fibers                                     |
| F. Rivestimento sfoderabile in tessuto e non sfoderabile in pelle e finta pelle | F. Removable upholstery in fabric and fixed in leather or artificial leather |
| G. Legno di frassino  | G. Ash wood  |
- 
- |   |   |
|---|---|
| ■ Bois de hêtre massif  | ■ Massivholz aus Buche  |
| ■ Multiplis de hêtre  | ■ Buchenschichtholz   |
| A. Acier  | A. Stahl  |
| B. Sangles élastiques   | B. Elastischen Gurtbändern  |
| C. Mousse polyuréthane expansé ignifuge indéformable à épaisseurs différenciées | C. Feuerfester formbeständige Polyurethanschaum in unterschiedlicher Dichte |
| D. Fibre de polyester   | D. Polyester  |
| E. Plume et fibre de polyester hélicoïdal                                       | E. Daunen und Polyesterfaser s piralförmig                                  |
| F. Revêtement déhoussable en tissu et pas déhoussable en cuir ou simili cuir    | F. Abziehbarer Bezug aus Stoff oder unabziehbarer aus Leder und Kunstleder  |
| G. Bois de frêne  | G. Eschenholz   |

Note · Notes · Annotation · Anmerkung

- |  |   |   |   |
|--|---|---|---|
| <ul style="list-style-type: none"> <li>* Rivestimento in tessuto sfoderabile, ad eccezione delle versioni in ecopelle e pelle</li> <li>* Cuscini extra disponibili</li> <li>* COM: tessuto cliente (tinta unita e h.140 cm.) - campione richiesto</li> <li>* COL: pelle cliente - campione richiesto</li> <li>* CAT. SPECIAL: prezzo e disponibilità su richiesta</li> </ul> | <ul style="list-style-type: none"> <li>* All covers are removable with the exception of ecoleather and leather versions</li> <li>* Extra cushions available</li> <li>* COM: client's fabric (plain colour and width 140 cm.) - sample required</li> <li>* COL: client's leather - sample required</li> <li>* CAT. SPECIAL: price and availability on request</li> </ul> | <ul style="list-style-type: none"> <li>* Revêtement en tissu déhoussable, à l'exception des versions en simili-cuir et cuir</li> <li>* Autres coussins disponibles</li> <li>* COM: tissu fourni (couleur unie et hauteur 140 cm.) - échantillon nécessaire</li> <li>* COL: cuir fourni - échantillon nécessaire</li> <li>* CAT. SPECIAL: prix et disponibilité sur demande</li> </ul> | <ul style="list-style-type: none"> <li>* Stoffbezug abziehbar, ausgenommen Kunstleder- und Lederausführungen</li> <li>* Weitere Kissen verfügbar</li> <li>* COM: Kundenstoff (einfarbig und Breite 140 cm.) - Stoffmuster nötig</li> <li>* COL: Kundenleder - Ledermuster nötig</li> <li>* CAT. SPECIAL: Preis und Verfügbarkeit auf Anfrage</li> </ul> |
|--|---|---|---|

Finiture · Finishes · Finitions · Ausführungen



Frassino naturale  
Natural ash  
Frêne naturel  
Eschenholz Naturfarbe



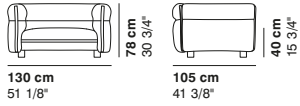
Frassino tinto grafite  
Graphite-stained ash  
Frêne teinté graphite  
Eschenholz Graphit gebeizt

Rivestimenti consigliati · Recommended coverings · Revêtements conseillées · Empfohlene Bezüge

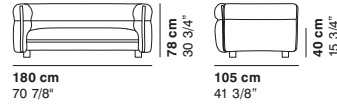
- |          |                |              |         |              |                 |                 |                 |
|----------|----------------|--------------|---------|--------------|-----------------|-----------------|-----------------|
| * cat. A | XTREME         | * cat. C     | SUPERB  | * cat. extra | RIME            | * cat. maxi     | MOSAIC 2        |
| * cat. A | TAILOR         | * cat. C     | DEANS   | * cat. extra | MOLLY 2         | * cat. maxi     | UNIFORM MÉLANGE |
| * cat. A | ANGEL          | * cat. C     | IRIS    | * cat. extra | STEELCUT TRIO 3 | * cat. maxi     | HALLINGDAL 65   |
| * cat. A | SAMAR          | * cat. super | AMELIA  | * cat. extra | COLLINE         | * cat. maxi     | DIVINA 3        |
| * cat. A | AVON           | * cat. super | NOX     | * cat. extra | OPERA           | * cat. top      | ARDA            |
| * cat. A | CRAZY          | * cat. super | ORSETTO | * cat. extra | ARCO            | * cat. special  | GENTLE 2        |
| * cat. B | WILSON         | * cat. super | REMIX 3 | * cat. extra | CREDO           | * cat. special  | SISU            |
| * cat. B | FAME           | * cat. super | FOSTER  | * cat. extra | CLEO            | * cat. lux      | LUX 2           |
| * cat. B | MAIN LINE FLAX |              |         | * cat. extra | TRIO            | * cat. imperial | IMPERIAL 2      |
| * cat. B | HERO           |              |         | * cat. extra | BIT             |                 |                 |
| * cat. B | HESTAN         |              |         |              |                 |                 |                 |
| * cat. B | SATEN          |              |         |              |                 |                 |                 |
| * cat. B | SILVERTEX      |              |         |              |                 |                 |                 |

# NAP WITHOUT CUSHIONS

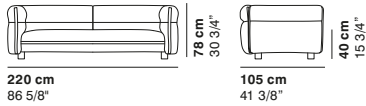
cod. 1070 / **armchair**



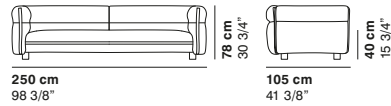
cod. 1071 / **2 seater sofa**



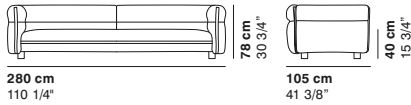
cod. 1072 / **3 seater sofa**



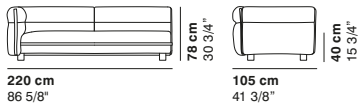
cod. 1073 / **3 seater sofa major**



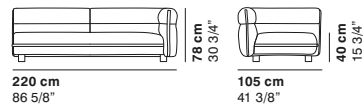
cod. 1074 / **4 seater sofa**



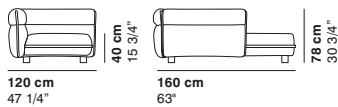
cod. 1075SX / **left element 220**



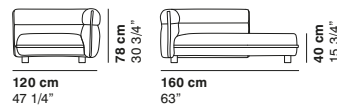
cod. 1076DX / **right element 220**



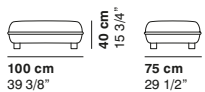
cod. 1077SX / **left dormeuse**



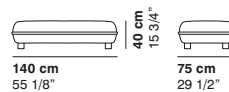
cod. 1078DX / **right dormeuse**



cod. 1079 / **ottoman 100**

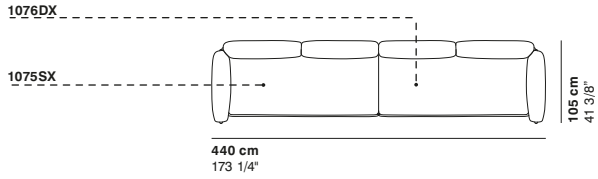


cod. 1080 / **ottoman 140**

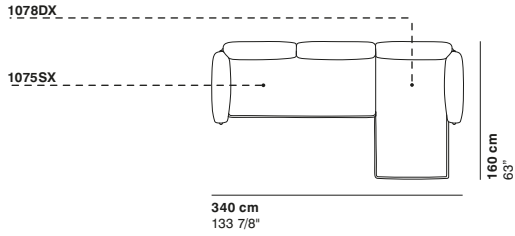


# NAP WITHOUT CUSHIONS

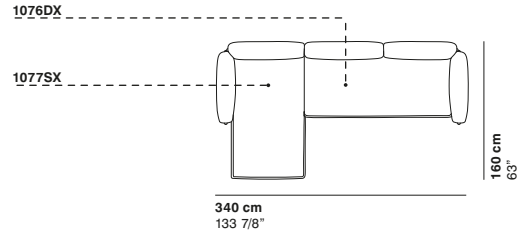
## cod. NAP01 / composition



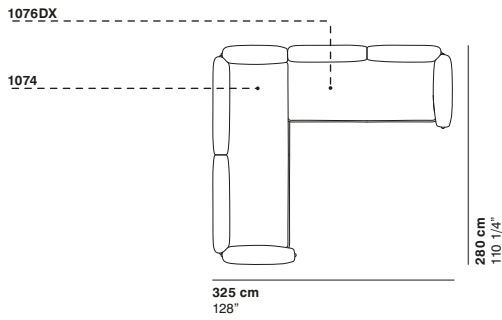
## cod. NAP02DX / composition



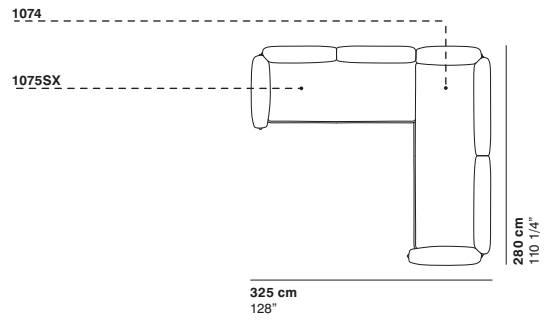
## cod. NAP03SX / composition



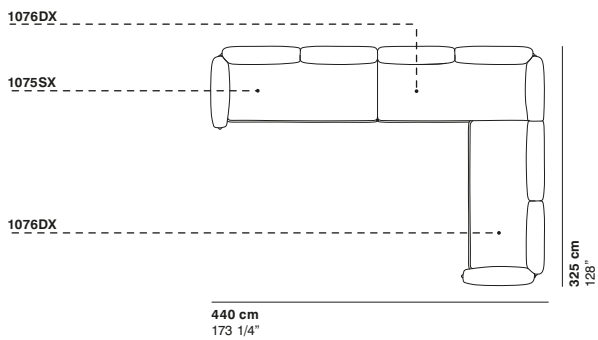
## cod. NAP04 / composition



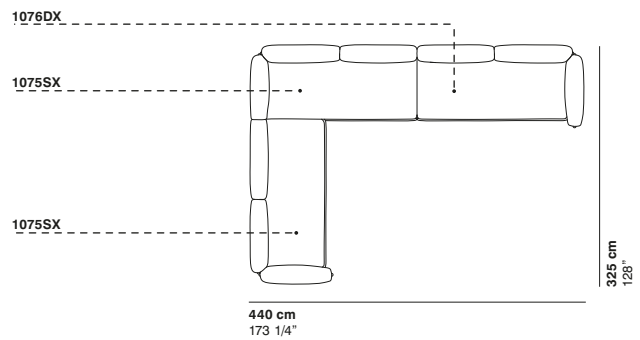
## cod. NAP05 / composition



## cod. NAP06 / composition

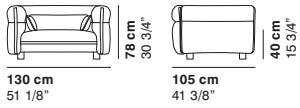


## cod. NAP07 / composition

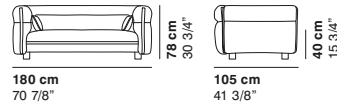


# NAP WITH CUSHIONS

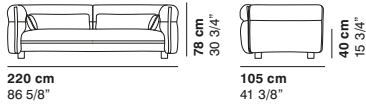
cod. 1090 / **armchair with cushions**



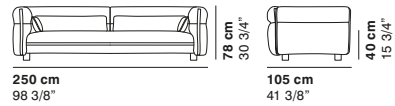
cod. 1091 / **2 seater sofa with cushions**



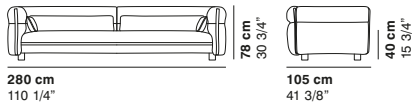
cod. 1092 / **3 seater sofa with cushions**



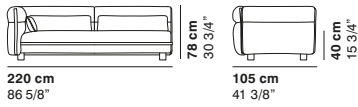
cod. 1093 / **3 seater sofa major with cushions**



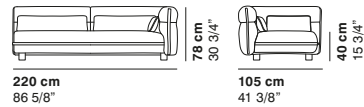
cod. 1094 / **4 seater sofa with cushions**



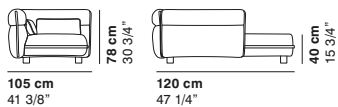
cod. 1095SX / **left element 220 with cushions**



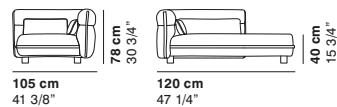
cod. 1096DX / **right element 220 with cushions**



cod. 1097SX / **left dormeuse with cushions**

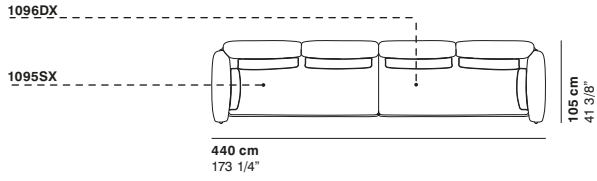


cod. 1098DX / **right dormeuse with cushions**

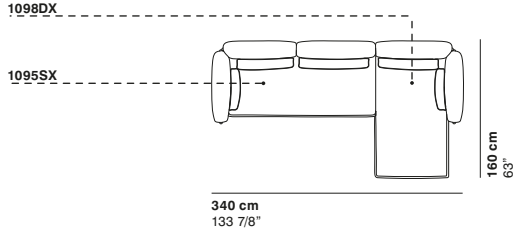


# NAP WITH CUSHIONS

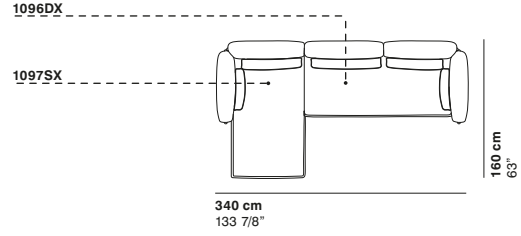
## cod. NAP01-C / composition with cushions



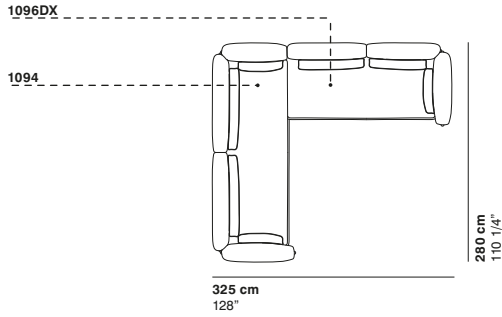
## cod. NAP02DX-C / composition with cushions



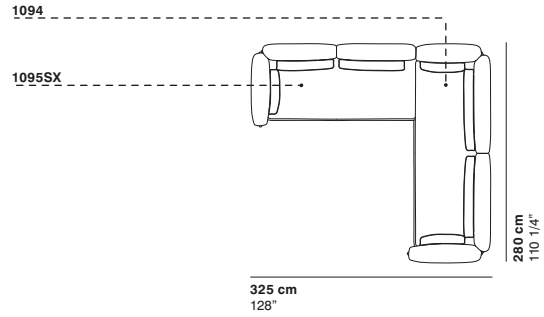
## cod. NAP03SX-C / composition with cushions



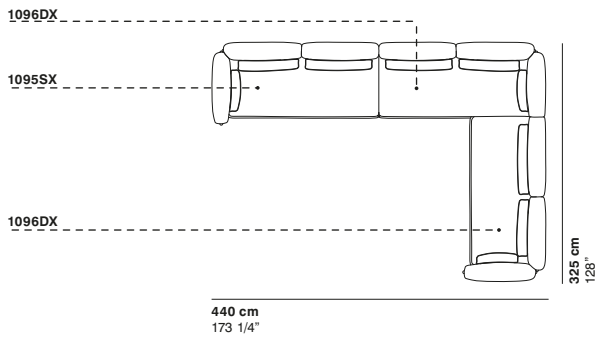
## cod. NAP04-C / composition with cushions



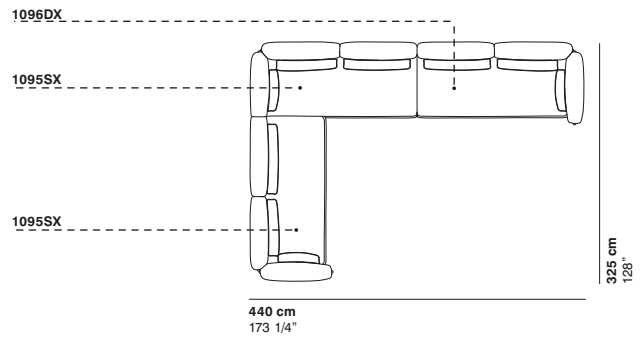
## cod. NAP05-C / composition with cushions



## cod. NAP06-C / composition with cushions



## cod. NAP07-C / composition with cushions



La Cividina s.r.l., al fine di migliorare caratteristiche tecniche e qualitative della sua produzione, si riserva di apportare, anche senza preavviso, tutte le modifiche che si rendessero necessarie.

With a view to improving the technical characteristics and quality of its products, La Cividina s.r.l. reserves the right to develop its products at anytime without notice.

Afin d'améliorer les caractéristiques techniques et qualitatives de sa production, La Cividina s.r.l. se réserve d'apporter, même sans préavis, toutes les modifications qui se rendront nécessaires.

Zur Verbesserung der technischen und qualitativen Merkmale, behält sich La Cividina s.r.l. vor, alle notwendig erscheinenden Produktionsänderungen, auch ohne Vorankündigung durchzuführen.



ISO 9001

**LaCividina srl**

**HEADQUARTERS  
/ PRODUCTION**

Via Cividina 176  
33035 Martignacco  
Udine Italy

**SHOWROOM**

Via Lungolavia 1  
33035 Martignacco  
Udine Italy

T. + 39 0432 677433

F. + 39 0432 677480

info@lacividina.com

www.lacividina.com

VAT nr. IT01810870301